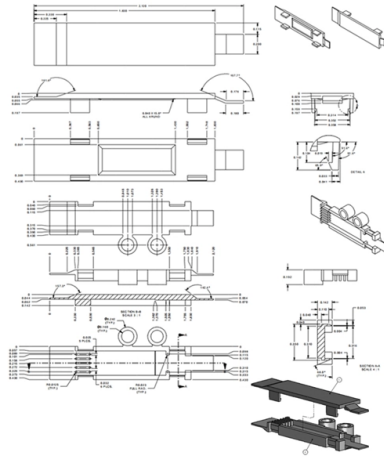


Fiber Optic Trunk Line Depth Standard



Overview

Fiber optic cable burial depth typically ranges from 12-48 inches (30-120 cm) depending on soil, climate, cable type, and installation method. (FOA) was founded in 1995 to help develop the workforce to build the fiber optic networks to support a rapid expansion in communications and the Internet. The charter of the FOA was to promote professionalism in fiber optics through education, certification, and. The short answer, based on general industry standards and the National Electrical Code (NEC), is that fiber optic cable is typically buried between 24 inches (60 cm) and 30 inches (76 cm) deep. However, simply hitting this depth isn't enough to guarantee your network survives. 8 million km in scope by 2025 (per TeleGeography), burying these cords of light comes with the benefits of avoiding cable damage, decreasing downtime, and extending their operational lifetime. But how deep is fiber optic cable buried?

However, whether with respect to FTTH (Fiber to the Home), long-distance transmission, or data center interconnects, among many others, there arise questions like: How deep do fiber optic cables go?

What steps should one take to ensure no damage is sustained?

In advanced way, fiber optic cables are.

Article Content

Optimizing the Fiber Trunk Cable in Data Centers and

Labeling. Standard or custom labeling can be included with each fiber trunk cable. It can match industry standards or the existing labeling system within the data

Instal 04 Buried Cable Installation Practices Iss3

1.0 GENERAL 1.01 This procedure provides general information for the installation of Prysmian fiber optic cables in direct buried applications. The methods described are intended for guideline use only,

How Deep Are Fiber Optic Cables Buried? Detailed

Learn how deep fiber optic cables are typically buried (12–36 inches) and what factors affect their burial depth. Avoid damage and ensure proper

How Deep Is Fiber Optic Cable Buried? (2025 Nec Standards& Guide)

The short answer, based on general industry standards and the National Electrical Code (NEC), is that fiber optic cable is typically buried between 24 inches (60 cm) and 30 inches (76 cm) deep.

How Deep is Fiber Optic Cable Buried: A Technical Guide

This guide explores the technical standards, influencing factors, installation practices, and future trends for burying fiber optic cables. Tailored for professionals sourcing solutions from

How Deep is Fiber Optic Cable Buried: Installation Guide

Learn how deep fiber optic cable is buried, key factors affecting buried fiber optic cable depth, and best practice for underground optical fiber installation.

How Deep Are Fiber Optic Cables Buried? Full Guide

Learn the recommended burial depth for underground fiber optic cable, including residential, roadway, and conduit installations, with practical field guidance.

How Deep Are Communication Lines Buried?

The depth at which communication lines are placed underground is governed by federal, state, and local regulations. Many rules are based on the National Electrical Safety Code (NESC),

FOA Standard For Installing Fiber Optic Cable Plants

This website covers topics related to fiber optic technology, components, installation, testing, troubleshooting and standards in depth. Visit for more complete information.

Underground Fiber Optic Cable Installation: A Complete

A successful underground fiber optic cable installation begins with careful planning and design. Thorough upfront planning minimizes construction

Fiber Trunk Cables: The Backbone of High-Speed Connectivity

A fiber trunk cable is a type of optical fiber cable designed to handle multiple fiber connections within a single, robust cable. Unlike standard patch cables, fiber trunk cables are used

How Deep To Bury Fiber Optic Cable

How Deep to Bury Fiber Optic Cable: Guidelines and Best Practices Burying fiber optic cables is a crucial step in ensuring the durability and longevity of a fiber optic network. The depth at

How Deep Is Fiber Optic Cable Buried? (2025 Nec

In this guide, we break down the exact depth requirements and the direct burial fiber optic cable solutions you need. Standard Depths: How Deep Is Fiber Optic Cable

How Deep to Bury Fiber Optic Cable — Depth Guide | TTI Fiber

Here TTI Fiber will share the key factors that determine the ideal burial depth for outdoor fiber optic cable, providing insights into industry standards, best practices, and real-world

DwyerOmega | Shop for Sensing, Monitoring and

Explore DwyerOmega's comprehensive range of industrial sensing, monitoring, and control solutions from thermocouples to pressure transducers engineered for

Fiber Trunk Cables | Leviton Network Solutions

During fiber trunk configurations, you can specify which end to have a pulling eye installed. Labeling To assist with network manageability, you can choose from standard labeling of cables and breakouts,

FIBER OPTIC CONSTRUCTION STANDARDS

Fiber optic cable sequential numbers are required at each pole location and vault wall. Sequential numbers will identify conduit length, and slack left in vaults and at poles.

Duct Installation of Fiber Optic Cable

Corning Optical Communications' fiber optic cable is TPA-3122 compatible with all major brands of innerduct. Consult your company's practices for innerduct specifications. Fill ratios are calculated by

How Deep is Fiber Optic Cable Buried?

Discover how deep fiber optic cables should be buried to avoid damage, comply with regulations, and ensure long-term network performance.

How Deep Are Fiber Optic Cables Buried? Detailed Guide for Safe ...

Proper burial depth is critical for the safety, durability, and performance of your communication infrastructure. This guide provides a

Understanding the Complete Spectrum of Fiber Optic

Discover the various types of fiber optic trunk cable available, including different connectors and configurations to suit your specific needs.

How Deep to Bury Fiber Optic Cable — Depth Guide | TTI Fiber

Fiber optic cable burial depth explained: 24-48 in (60-120 cm) by environment, plus soil, frost-line and trenching rules. Full installation guide inside.

OSP Civil Works Guide-FOA

OSP Fiber Optics Civil Works Guide An updated version of this booklet is now available as a textbook on Amazon, is included in the FOA Reference Guide to Outside Plant Fiber Optics and as a section

Small Form-factor Pluggable

Small Form-factor Pluggable (SFP) is a compact, hot-pluggable network interface module format used for both telecommunication and data communications

The FOA Reference For Fiber Optics -Outside Plant

Where it is not possible to obtain the specified minimum trench depth, the client must be consulted. The trench depth in hard rock conditions can be relaxed (i.e. apply

Contact Us

For more information, pricing, or custom solutions, please contact us:

Website: <https://pvprojekt.com.pl>

Email: contact@pvprojekt.com.pl

Phone: +48 512 897 346

Address: ul. Tęczowa 17, 61-001 Poznań, Greater Poland Voivodeship, Poland

This document is for informational purposes only. Specifications subject to change without notice.

