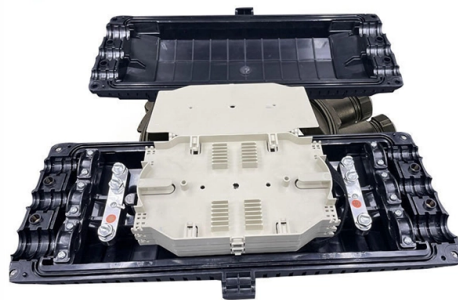


Electric Well Cable Tray Accessories



Overview

Only required for straight tray to straight tray connection - medium duty range
Finish: post galvanised = HDG, stainless steel grade 1.4404 (316L) = SS Not available in pre galvanised
Only required for straight tray to straight tray connection - medium duty range
Finish: pre galvanised = PG, post galvanised = HDG, stainless steel grade 1.4404 (316L) = SS
Only required for straight tray to straight tray connection - heavy duty range
Finish: post galvanised = HDG, stainless steel grade 1.4404 (316L) = SS Not available in pre galvanised
Only required for straight tray to straight tray connection - heavy duty range
Finish: pre galvanised = PG, post galvanised = HDG, stainless steel grade 1.4404 (316L) = SS
Always required for cut lengths of light duty tray
Finish: pre galvanised = PG, post galvanised = HDG, stainless steel grade 1.4404 (316L) = SS.



Article Content

Cable Tray Accessories | RS

Cable trays are components used in the wiring of buildings to support insulated cables and organise them to be hidden from view. They offer an alternative to open wiring or electrical conduit systems

CABLE MANAGEMENT SYSTEMS CABLE TRAYS & ACCESSORIES

Fiberglass Reinforced Plastic (FRP) Cable Tray / Ladder SFSP Fiberglass Reinforced Plastic (FRP) Cable Management Systems are designed, manufactured, and tested to be installed in most harsh

Cable Tray And Fittings | Graybar Store

A cable tray system is used to support insulated electrical cables used for power distribution, control, and communication. Cable trays are used as an alternative to open wiring or electrical conduit

Cable Trays and Accessories | Cable Management | YESSS Electrical

Popular product types include straight couplers, risers, bends, tees, reducers, and tray covers, with options in pre-galvanised or hot-dip galvanised steel. For durable, adaptable, and regulation

Cable Tray

Shop for Cable Tray - Accessories at Platt Square Splice Washer, Use With CE 30 and EZ BN 1/4 To Splice Any Two Sections of Wire Mesh Tray, Also Use For Fabricating Bends Turns and Tees

Basor Electric

The objective of searching for crude oil and natural gas in geothermal deposits is less elaborate and more cost effective than offshore

A Guide to Cable Tray Accessories and Their Functions

Explore a detailed guide to cable tray accessories and understand their uses in ensuring safety, stability, and efficiency in electrical system

Cable Tray Accessories, Support Bracket, Fittings & More

Cable trays are components used in the wiring of buildings to support insulated cables and organise them to be hidden from view. They offer an alternative to open wiring or electrical conduit systems

CABLE MANAGEMENT SYSTEMS CABLE TRAYS & ACCESSORIES

We manufacture a wide range of products capable of providing the characteristics which respond to the proposed application, along with quality of assembly, speed of installation, and cost-saving cable trays.

Accessories | Cleveland Cable Company

Discover a full range of cable accessories, including glands, lugs, trays & support systems. Complete your cable project with high-quality solutions.

Cable trays

We offer a wide range of cable tray systems to support tubing, electrical cables and instrumentation. Our cable trays are produced in fit for purpose materials like

The Complete Guide to Cable Trays | Snake Tray

Learn about the benefits and applications of cable trays, and the specific advantages of using Snake Tray products.

electric cable tray

Electric cable trays are specialized support systems designed to hold and organize electrical cables, typically used in industrial environments. In drilling and well completion, they act as highways for the

Cable Tray | Wire Mesh, Ladder Tray and More Wire Management

Overall, cable tray systems are an essential component of modern infrastructure. They provide a safe, durable, and flexible solution for routing electrical and data cables in commercial and industrial

Cable Tray and Reels | Wire and Cable Management

Fast installation with dependable support. Everything you need to build a cable management system, including Cablofil wire mesh cable tray, ladder cable tray,

Cable Tray Mounting Hardware

Cable Runway Wall Angle Support fastens ladder rack to a wall or other flat surface. This Wall Angle Support, LWASK24BLK item fits 24.00 with a material of Steel color Black.

High-Quality Cable Tray Systems | Light, Medium

Explore our premium cable tray systems at Direct Channel. Available in light, medium, and heavy-duty options, with pre-galvanized & hot-dipped finishes.

Cable Tray Accessories

75mm Medium Duty Tray Adjustable Int/Ext Bend Pre-Galv 25mm side height, 10mm return Advanced hole pattern for optimum fixing and looming opportunities Pre-galvanised adjustable internal/external

Cable Trays | Perforated Cable Trays | Cable Trays

We are Bangalore based well-known manufacturers, supplier, and exporter of outstanding variety of cable trays, raceways draw boxes & industrial fabrications.

Cable Tray Accessories | RS

Browse our range of High-Quality Cable Tray Accessories. Buy Cable Tray Hangers, Cable Tray Supports, and Cable Tray Fittings. Shop Today!

Cable Tray & Accessories

Shop for Cable Tray & Accessories at Rexel Fire Alarm Control Cable, Type FPLP-MC, 2 Conductors, 14 AWG Conductor And Ground, Solid Copper, Outside Diameter: 0.47 IN

...

Basor Electric

With more than 30 years of experience, BASOR supplies all kinds of cable trays for electricity, instrumentation and communications

Contact Us

For more information, pricing, or custom solutions, please contact us:

Website: <https://pvprojekt.com.pl>

Email: contact@pvprojekt.com.pl

Phone: +48 512 897 346

Address: ul. Tęczowa 17, 61-001 Poznań, Greater Poland Voivodeship, Poland

This document is for informational purposes only. Specifications subject to change without notice.

